

EVOLVE
LIGHTING

THE ORBIT HIGHBAY

ESSENTIAL SERIES HIGHBAY

UP TO
65%
ENERGY SAVING

HIGH
130lm/W
SYSTEM EFFICACY

LIFETIME OF
54,000
HOURS TO L70

TAKE A LOOK AT THE ORBIT FEATURES

PEACE OF MIND

We use a quality 100,000 hour driver that's fit for the task with all the necessary protections like 4kV Surge protection plus SCP/OTP/OVP/OPP.



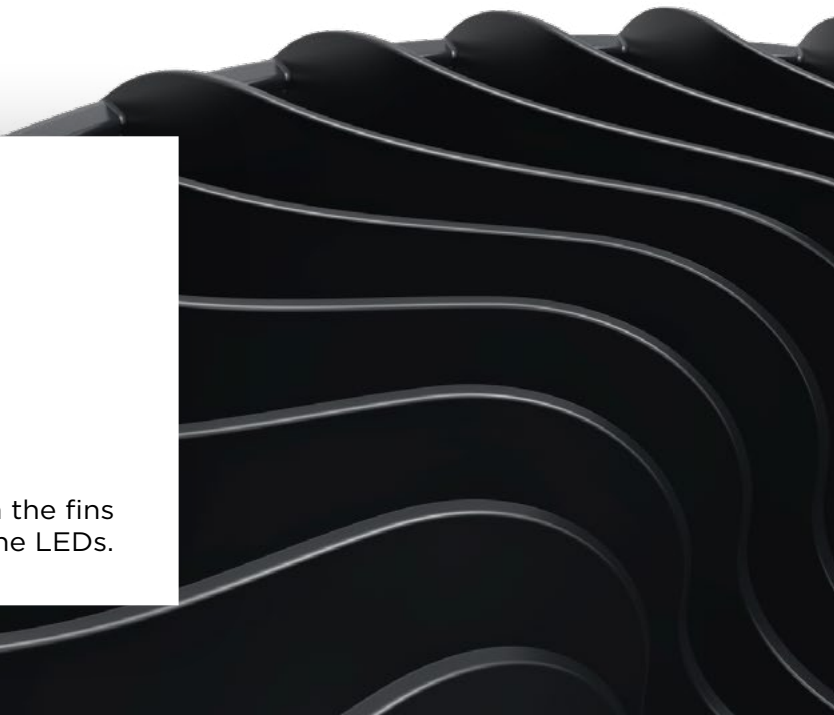
OPTICAL LENS DESIGN

An optical lens controls the light spread reducing wasted light and preventing unwanted glare for a more comfortable work environment.



OUTSTANDING THERMAL PERFORMANCE

Our heatsink design allows air to flow through the fins for optimal cooling, ensuring the long life of the LEDs.



ORBIT 100W

LED ROUND HIGHBAY



FEATURES

- Excellent chip efficacy of 130lm/W
- >54,000 hours LED lifetime
- 100,000 hour driver lifetime
- IP65 and IK10 rated
- 2m Flex and Plug



RANGE

CODE	CCT	BODY COLOUR	STOCKED
ORBIT100-840-90	4000K	Graphite Grey	YES
ORBIT100-860-90	6000K	Graphite Grey	NO
ORBIT100-840-90-W	4000K	White	YES
ORBIT100-860-90-W	6000K	White	NO

LIGHTING DATA

LIGHT SOURCE	High output SMD LED Chip
LUMEN OUTPUT	13,000lm
EFFICACY	130lm/W
LED LIFETIME @L70	>54,000hrs
CRI	≥80
SDCM	<5
BEAM ANGLE	90° / 60° (indent)
UGR	28

ELECTRICAL DATA

POWER SUPPLY	Sosen IP65 Driver
MAINS VOLTAGE	AC200-240V / 50-60 Hz
POWER FACTOR (Typ)	0.97
THD (Typ)	8%
DRIVER LIFETIME	100,000hrs (Tc≤65°C)
PROTECTIONS	SCP/OTP/OVP/OPP
SURGE PROTECTION	L/N-PE: 4kV, L-N: 4kV
CONNECTION	2m 3 core cable with plug
DIMMING OPTIONS	DALI, 1-10V (indent)

DESIGN / CONSTRUCTION

BODY MATERIAL	Corrosion-resistant aluminium
LENS MATERIAL	Polycarbonate
FINISH	Anti corrosion powder coating
COLOUR	Graphite Grey or White
MOUNTING OPTIONS	Suspended/Surface
WEIGHT	4.5kg

TECHNICAL DATA

IP RATING	IP65
IK RATING	IK10
OPERATING TEMP	-30° to +45°C
PROTECTION CLASS	Class 1
CERTIFICATIONS	SAA
WARRANTY	5 Year product replacement

ORBIT 150W

LED ROUND HIGHBAY



FEATURES

- Excellent chip efficacy of 130lm/W
- >54,000 hours LED lifetime
- 100,000 hour driver lifetime
- IP65 and IK10 rated
- 2m Flex and Plug



RANGE

CODE	CCT	BODY COLOUR	STOCKED
ORBIT150-840-90	4000K	Graphite Grey	YES
ORBIT150-860-90	6000K	Graphite Grey	YES
ORBIT150-840-90-W	4000K	White	YES
ORBIT150-860-90-W	6000K	White	NO

LIGHTING DATA

LIGHT SOURCE	High output SMD LED Chip
LUMEN OUTPUT	19,500lm
EFFICACY	130lm/W
LED LIFETIME @L70	>54,000hrs
CRI	≥80
SDCM	<5
BEAM ANGLE	90° / 60° (indent)
UGR	28

ELECTRICAL DATA

POWER SUPPLY	Sosen IP65 Driver
MAINS VOLTAGE	AC200-240V / 50-60 Hz
POWER FACTOR (Typ)	0.97
THD (Typ)	7%
DRIVER LIFETIME	100,000hrs (Tc≤65°C)
PROTECTIONS	SCP/OTP/OVP/OPP
SURGE PROTECTION	L/N-PE: 4kV, L-N: 4kV
CONNECTION	2m 3 core cable with plug
DIMMING OPTIONS	DALI, 1-10V (indent)

DESIGN / CONSTRUCTION

BODY MATERIAL	Corrosion-resistant aluminium
LENS MATERIAL	Polycarbonate
FINISH	Anti corrosion powder coating
COLOUR	Graphite Grey or White
MOUNTING OPTIONS	Suspended/Surface
WEIGHT	4.5kg

TECHNICAL DATA

IP RATING	IP65
IK RATING	IK10
OPERATING TEMP	-30° to +45°C
PROTECTION CLASS	Class 1
CERTIFICATIONS	SAA
WARRANTY	5 Year product replacement

ORBIT 200W

LED ROUND HIGHBAY



FEATURES

- Excellent chip efficacy of 130lm/W
- >54,000 hours LED lifetime
- 100,000 hour driver lifetime
- IP65 and IK10 rated
- 2m Flex and Plug



RANGE

CODE	CCT	BODY COLOUR	STOCKED
ORBIT200-840-90	4000K	Graphite Grey	YES
ORBIT200-860-90	6000K	Graphite Grey	YES
ORBIT200-840-90-W	4000K	White	YES
ORBIT200-860-90-W	6000K	White	NO

LIGHTING DATA

LIGHT SOURCE	High output SMD LED Chip
LUMEN OUTPUT	26,000lm
EFFICACY	130lm/W
LED LIFETIME @L70	>54,000hrs
CRI	≥80
SDCM	<5
BEAM ANGLE	90° / 60° (indent)
UGR	28

ELECTRICAL DATA

POWER SUPPLY	Sosen IP65 Driver
MAINS VOLTAGE	AC200-240V / 50-60 Hz
POWER FACTOR (Typ)	0.97
THD (Typ)	7%
DRIVER LIFETIME	100,000hrs (Tc≤65°C)
PROTECTIONS	SCP/OTP/OVP/OPP
SURGE PROTECTION	L/N-PE: 4kV, L-N: 4kV
CONNECTION	2m 3 core cable with plug
DIMMING OPTIONS	DALI, 1-10V (indent)

DESIGN / CONSTRUCTION

BODY MATERIAL	Corrosion-resistant aluminium
LENS MATERIAL	Polycarbonate
FINISH	Anti corrosion powder coating
COLOUR	Graphite Grey or White
MOUNTING OPTIONS	Suspended/Surface
WEIGHT	5.5kg

TECHNICAL DATA

IP RATING	IP65
IK RATING	IK10
OPERATING TEMP	-30° to +45°C
PROTECTION CLASS	Class 1
CERTIFICATIONS	SAA
WARRANTY	5 Year product replacement

ORBIT 240W

LED ROUND Highbay



FEATURES

- Excellent chip efficacy of 130lm/W
- >54,000 hours LED lifetime
- 100,000 hour driver lifetime
- IP65 and IK10 rated
- 2m Flex and Plug



RANGE

CODE	CCT	BODY COLOUR	STOCKED
ORBIT240-840-90	4000K	Graphite Grey	YES
ORBIT240-860-90	6000K	Graphite Grey	NO
ORBIT240-840-90-W	4000K	White	NO
ORBIT240-860-90-W	6000K	White	NO

LIGHTING DATA

LIGHT SOURCE	High output SMD LED Chip
LUMEN OUTPUT	31,200lm
EFFICACY	130lm/W
LED LIFETIME @L70	>54,000hrs
CRI	≥80
SDCM	<5
BEAM ANGLE	90° / 60° (indent)
UGR	28

ELECTRICAL DATA

POWER SUPPLY	Sosen IP65 Driver
MAINS VOLTAGE	AC200-240V / 50-60 Hz
POWER FACTOR (Typ)	0.98
THD (Typ)	7%
DRIVER LIFETIME	100,000hrs (Tc≤65°C)
PROTECTIONS	SCP/OTP/OVP/OPP
SURGE PROTECTION	L/N-PE: 4kV, L-N: 4kV
CONNECTION	2m 3 core cable with plug
DIMMING OPTIONS	DALI, 1-10V (indent)

DESIGN / CONSTRUCTION

BODY MATERIAL	Corrosion-resistant aluminium
LENS MATERIAL	Polycarbonate
FINISH	Anti corrosion powder coating
COLOUR	Graphite Grey or White
MOUNTING OPTIONS	Suspended/Surface
WEIGHT	5.5kg

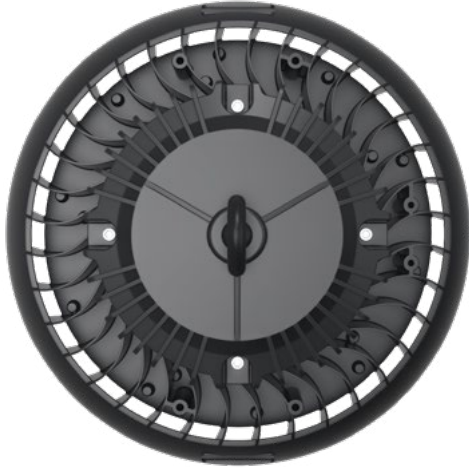
TECHNICAL DATA

IP RATING	IP65
IK RATING	IK10
OPERATING TEMP	-30° to +45°C
PROTECTION CLASS	Class 1
CERTIFICATIONS	SAA
WARRANTY	5 Year product replacement

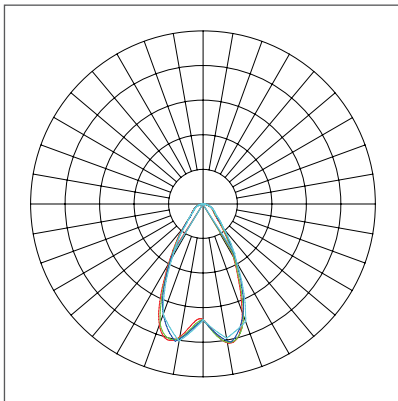
EVOLVE ORBIT

LED ROUND HIGHBAY

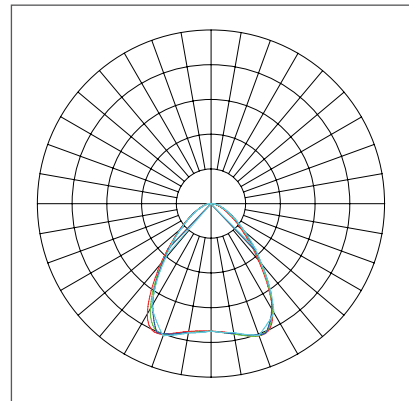
IMAGES



PHOTOMETRIC DIAGRAM

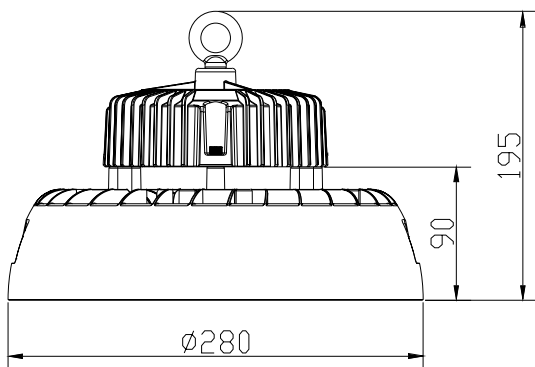


60°

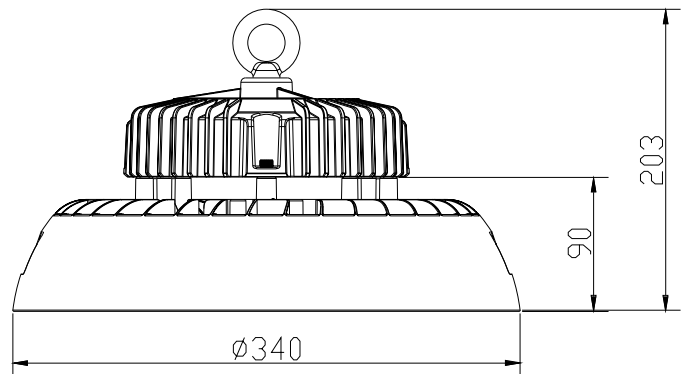


90°

DIMENSIONS



100W - 150W



200W - 240W

ORBIT ACCESSORIES

ORBIT HIGHBAY SERIES

SURFACE MOUNTING BRACKET



MATERIAL	Iron
FINISH	Epoxy anti-corrosion coating
COLOUR	Black or White
TILT	180°
STOCKED	Yes
PRODUCT CODE	
100W/150W:	ORBIT100SMKIT
200W/240W:	ORBIT200SMKIT

ADJUSTABLE SUSPENSION KIT



MATERIAL	304 Stainless Steel
LENGTH	5m
DIAMETER	3mm
ADJUSTABLE	Yes
PRODUCT CODE	HBSUSKIT